

# SMART BUILDING ACCESS SECURED AUTHENTICATOR

Powered By  
**ioLINK**



## High Security

User accessibility is granted to users' smart phone over a secured channel, no on-site server is required.



## Keyless Opening

Secured open with smart app on users' phone. No physical card required.



## Forced/Left Open

Audio alert upon unauthorized opening or left-open of the SMART EMLOCK secured door.



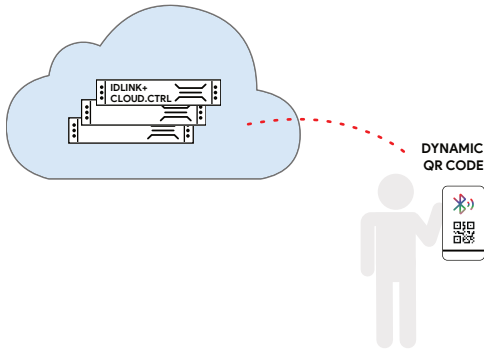
## Capacitive Touch

Integrated with high quality capacitive touch sensor.

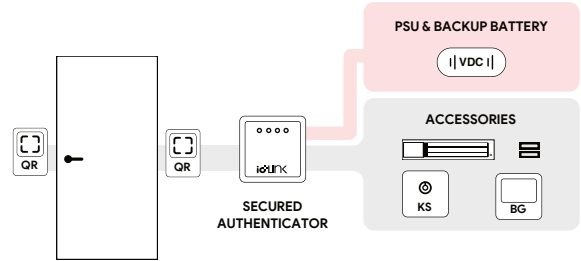
# SYSTEM ARCHITECTURE

## STANDALONE MODE

ONLINE APPLICATION

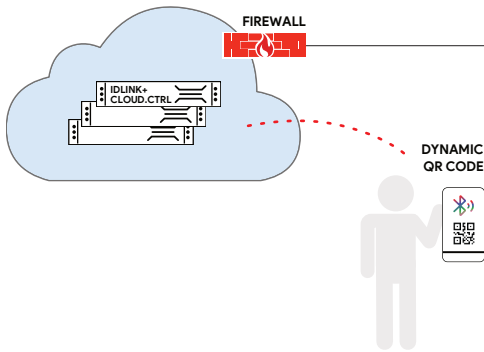


ON-PREMISE SETUP

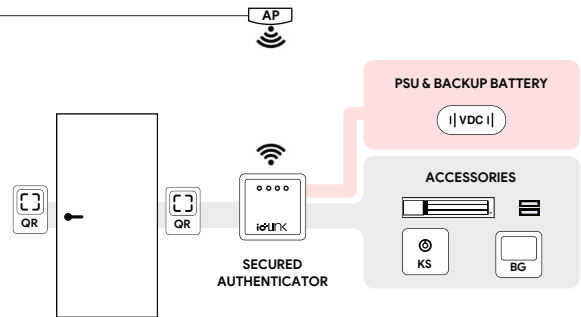


## CONNECTED MODE

ONLINE APPLICATION



ON-PREMISE SETUP



# TECHNICAL SPECIFICATION

Features	Description
Supported Door	Single Door
Number of User	Unlimited
Operation Mode	Standalone Mode / Connected Mode
Alert Indicator	Visual (LED Indicator) / Audio (On-board Buzzer)
Wireless Connectivity	BLE 5.0 / WiFi (2.4GHz, b/g/n)
Wired Connectivity	2x RS485 (115kbps, ESD/Sur Protection)
Expansion	External QR Reader, Lift Masking Board
CapSense Touch	Yes
Inputs	Exit Button / Door Sensor / Auxiliary Input
Outputs	1x Lock Control (Form-C Relay Output / 1x Open Collector Output)
Operating Power	12 - 16VDC, 0.5A
Dimension	86 x 86 x 26
Mounting	3x3 Junction Box, Din Rail (Optional)

\* Specification may change without prior notice